



LSA REPORTER

EDITORS: William M. Lynk, CRL * Alvin Moebus

Publication Deadline: Submit items Two (2) Weeks (14 calendar days) by 5:00 p.m. **AFTER** the last LSA meeting.

LSA Website: <http://www.LSAmichigan.org>



PRESIDENTIAL PENNINGS—*JOHN HUBEL, CML*



The Locksmith Security Association of Michigan (LSA) is in full swing for the 2011-2012. It was just one year ago the LSA took a serious look at the economic downfall and decided to make a conscious effort to provide all we could to help our membership stabilize and get their feet back on solid ground. We had many experts share at the meetings and in classes, methods to accomplish these goals. The second half of the year was dedicated to growing our business. During these months the LSA capitalized on methods of improving our business and, once again, becoming competitive in the industry. Those who have implemented these ideas and opportunities have, no doubt, been able to show positive and tangible results.

The job of the LSA is not, nor will ever be, done. Over the next twelve months, the LSA will make a determined effort to build on what has been established by introducing industry tools which will make our jobs easier. By working smarter, the profits will be greater. This is a simple Economics 101 principle. Tooling and Equipment used by some of our own LSA members will be showcased, as well as introductions to new products on the market which are designed to make our work easier will be demonstrated.

The LSA leadership has earned the trust of its membership. It will continue to show every member the return on each member's investment, and, it will be exponentially multiplied. We invite any locksmith to join the LSA. See www.LSAmichigan.org for additional details. I am looking forward to an exciting year ahead.

—John Hubel, CML— LSA President

LSA Officers



President—**John Hubel, CML** (586) 254-7233
 Vice President—**Ray Sinai, CPL** (248) 543-5397
 Secretary—**Randy Montpas** (810) 694-4469
 Treasurer—**Curtis Parks** (248) 594-1552
 Sargent-At-Arms—**Alvin Moebus** (313) 885-9365
 Newsletter—**William M. Lynk, CRL** (313) 884-9800
 Newsletter—**Alvin Moebus** (313) 885-9365
 Webmaster—**William M. Lynk, CRL** (313) 884-9800
 Photographer—**Rob Rovinsky, CPL** (248) 644-7939
 Refreshments—**Mike Smolarek** (586) 337-7041

Education Chairman—**Aron Boag** (248) 321-2244
 Membership Secretary—**Alvin Moebus** (313) 885-9365
 Public Relations—**John Hubel, CML** (586) 254-7233
 Librarian—**Larry Williams, RL, CPP** (248) 917-2323
 Program Director—**Ray Sinai** (248) 543-5397
 Technical Operations Director—**William Trout** (248) 350-0027
Board of Directors: Rob Rovinsky, CPL; Maurice Home, CML;
 Larry Walker, CRL; Robert Noble, CML, CPS;
 Larry Williams, RL, CPP

→Please Volunteer and be part of our Group!

◆ LSA of Michigan supports all educational initiatives regardless of a specific supplier, brand or manufacturer. ◆

LSA Information.....

ALOA PRP Sitting—Saturday, September, 24, 2011

WHAT: ALOA PRP Sitting

WHO: Sponsored by LSA of Michigan

WHEN: Saturday, September 24, 2011 at 9:00 a.m.

WHERE: Woodside Bible Church,
27300 Hoover Rd., Warren, MI 48093

COST: ALOA Members, Locksmith PRP = \$65.00

The Registration Form will be posted on the LSA Web site as soon as it arrives from ALOA. Submission deadline will be soon (perhaps 9/9/11).

NEXT MONTH'S LSA

MEETING

THURSDAY,
OCT. 13TH, 2011
AT 7:00 P.M.

Locksmith Security Association meets at 7:00 p.m., the second Thursday of the month (Sept. to June) in the Metro Detroit Area in southeast Michigan:

1640 Stephenson Hwy.,
just north of Maple (15
Mile Rd.), on the east
side of street.



PRP GLOSSARY—LIST COUNCIL TERMINOLOGY

uncontrolled cross keying—n. a condition in which two or more different keys under different higher level keys operate one cylinder by design; e.g., XAA1 operated by AB, AB1. Note: This condition severely limits the security of the cylinder and the maximum expansion of the system, and often leads to key interchange

effective plug diameter—n. the dimension obtained by adding the root depth of a key cut to the length of its corresponding bottom pin which establishes a perfect shear line. This will not necessarily be the same as the actual plug diameter.

override combination—n. in certain locks with a user changeable combination, a second combination which allows access at all times. It is usually factory set and may not be field changeable.

audit trail -n. a specific group of events selected from transaction records and listed sequentially



Join the Locksmith Security Association of Michigan (LSA), IDN Hardware Sales, and ASSA/Abloy for—
The Adams Rite “Factory” Class

Saturday 12 November 2011 (Saturday following LSA); 8:30 am – 4:30 pm; Lunch provided

At IDN-Hardware Sales, 35950 Industrial Rd., Livonia, MI 48151

Mark McBroom, Adams Rite, HES, & Securitron, Analyst/Trainer from ASSA/Abloy

\$50.00



What’s Included?

- ❖ You'll get the 4-hour hands-on class, “Going Beyond the Deadbolt, Aluminum Storefront,” a CEU class worth 0.4 Credits.
- ❖ A 2-hour class on the NEW Adams-Rite 2190 Dual Force Lockset, including more hands-on experience.
- ❖ Lots of electrified locks and access control integrated into both!
- ❖ A complete review of the Adams Rite product line with emphasis on new offerings—anything that fits an Adams Rite prep.
- ❖ Each student will also receive a \$25.00 certificate from IDN-Hardware Sales good toward purchase of Adams Rite products from IDN.
- ❖ NOTE: Class is limited to 15-students working in groups of three at Adams Rite Training stands.

“Going Beyond the Deadbolt, Aluminum Storefront”

This is a 4-hour hands-on class that takes the student from the manual deadbolt to what can fit into the Adams Rite prepped door for an access controlled opening. The student will install a mix of manual and electrified lock sets from Adams Rite on student training stands.

“2190 Dual Force” (a NEW course, not yet a certified course)

This is a 2-hour class which introduces the new Adams Rite 2190 Dual Force lockset. This course provides the student knowledge on the features and customer benefits of a mortise lock that incorporates a deadbolt along with a dead-latch. The course covers this new product. Students will install the lock on a student frame section, they then add on the electrification kit to show how it can be converted in the field for access control.

To Register or for additional information contact:

John W. Lightner at DoctorJohn@StarGate-Lock-and-Security.com

Or call: 517-231-4153



CALENDAR OF LSA EVENTS—SEE [WEBSITE](#) FOR COMPREHENSIVE LIST

2011—Dinner at 7:00 pm

September LSA Meeting: 7:00 p.m., Thursday, 09/08/11

October LSA Meeting: 7:00 p.m., Thursday, 10/13/11

SFIC Class: Sat. 10/15/11—Roseville Holiday Inn Express, 9am-4 pm



“Qwik-Qwiz”

Late 1990 and early 2000 ___ cycles are equipped with only one lock, a simple keyed ignition switch which utilizes a Cessna aircraft code series and the Ilco IN8 key blank.

- A) Buell
- B) Harley-Davidson
- C) Indian
- D) Triumph
- E) BMW

[answer on bottom of Last Page of this Newsletter]



**Caesar and Marcus
LSA Mascots**



WEB LINKS

[ALOA](#)

www.aloa.org

[IDN-Hardware Sales, Inc.](#)

www.IDNhardware.com

[LynkWeb](#)

www.LynkWeb.com

[LAB](#)

www.labpins.com

[LSA](#)

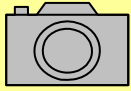
www.LsaMichigan.org

[Marx Locksmith](#)

www.MarxLocksmith.com

[JLM Wholesale](#)

www.JLMwholesahe.com

 **ROGUE'S ROW— JUNE 2011 LSA MEETING**
ROB ROVINSKY, CPL - LSA PHOTOGRAPHER



RAY'S WAYS— “LET'S TALK TOOLS”**-BY RAY SINAI, CPL, VICE PRESIDENT, LSA**

Welcome back to another year at LSA. I believe that 2012 will mark the association's 35th anniversary. I have “switched gears” on the topic of my monthly column to TOOLS. I even thought about re-naming the column “TOOL TIME”. After all, I did meet Tim Allen in person. Yes, it's true. He is a Detroit and I met him while I was on a job in Bloomfield. I would be willing to guess that my most used hand held power tool in locksmithing would have to be the drill motor, whether it is cordless or corded. My second most used hand held power tool would be my die grinder. I have often found it surprising that many of my fellow locksmiths do not own a die grinder, nor plan on purchasing one.

In case you are unfamiliar with the die grinder, it is basically an oversized dremel tool. I use it mainly to install electric releases (strikes) but it has many uses. The chucks on our units accept a ¼ inch bit (shaft) and you can attach grinding heads as well as cutting wheels.

We have tried the inexpensive Sears and Harbor Freight models and have settled on the DeWalt Brand. As of now, these units have held up the best. They still can get hot to the touch if you are doing prolonged cutting or grinding. By the way, we prefer the DeWalt Brand cutting wheels also.

I like the versatility of this tool. Need to cut off a padlock, open up a strike plate hole, cut off rusted screws or bolts, custom fabricate metal parts, etc. I use it at times when my Adams Rite installation jig just won't fit on the door or frame. As they say “the list goes on” as far as uses for this tool. It's small and can fit in a tool box or drawer.

ALWAYS, ALWAYS use goggles or a face shield when operating this tool! Take it from the writer of this article, with diminished hearing, also use ear protection. Either use ear plugs or headgear “ earmuffs”. If you don't own a die grinder, I highly recommend the purchase. GOOD LUCK TO YOU ALL.

Ray Sinai, CPL—Vice President, LSA

LOOKING BACK INTO THE LOCKING PAST...RETRO #26

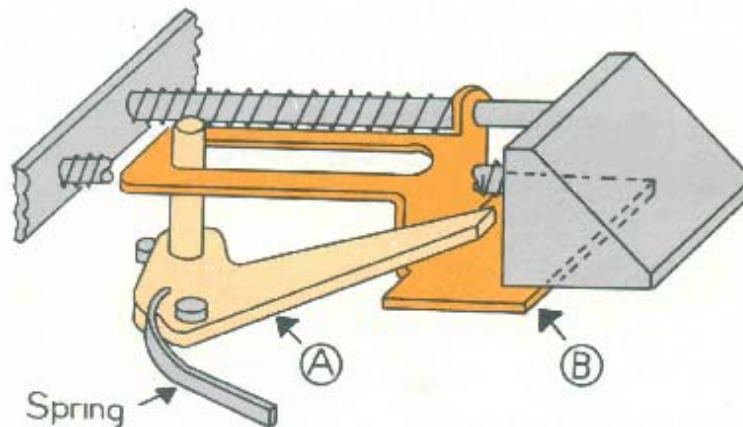
To follow is another page from the now defunct **Locksmithing Institute of New Jersey Home Study Locksmithing Course**, started by the late Leonard Singer (*Master Keying Expert*). The program went out of business in the early 1980s. This lesson excerpt is circa 1973 on "Extracting Broken Keys". **Some illustrious graduates who are LSA members include: Ray Sinai, Theo Schultz, Dan Meggison, Nick Palise, Tom Lewis and William Lynk.**

LOCKSMITHING INSTITUTE • LITTLE FALLS, NEW JERSEY 07424

a number of added features. However, these features are simply additions to the basic pattern of the latch you are now studying.

PART II RIM DEADLOCKING LATCHES

One of these "security features" was added when people complained that they could not "deadlock" the night latch from the outside. Naturally, it is not possible to stick your hand through a closed door and slide the safety button! So, one of the manufacturers devised an extra slide under the latch bolt that would do the job. The next illustration shows the principle.



When the latch bolt hits the strike, it moves into the housing until it is in line with the hole in the strike. At this point, the latch bolt springs out again. However, the slide B is a little too big to fit into the strike hole together with the latch bolt, so it just stays back in the housing. In the meanwhile, a small lever (A) snaps into the space between the latch bolt and the slide, and thus deadlocks the latch bolt.

There are many other ways to deadlock night latches. Some companies do not use a slide at all. They depend on levers and springs to do the job. There are scores of different methods. But the mechanical methods are not too important to discuss here, because a short study of any such latch that you come across will quickly reveal how it is done. In passing, however, look at the following illustration and study how the deadlocking action is accomplished in this Yale latch.

Pre-Meeting Dinner Sponsors:

- September:**
- October:**
- November:**
- December**
- January:**
- February:**
- March:**
- April:**
- May:**
- June:**

Thanks to all of our Pre-Meeting Dinner Sponsors. If you would like to participate for the 2011-2012 Season, contact: John Hubel, CML or Ray Sinai, CPL

Associate Members/Sponsors of LSA



The 1st Choice of Professional Locksmiths & Safe-Techs On-line



JOHNSTON SALES
Security Solutions at Work!

Steve Johnston
625 N Main St., #200, Clawson, MI 48017
Office: 248.655.0393 Cell 248.515.1169

Representing:


- Kaba Access** (E-Plex, Simplex, Peaks)
- MMF** (Key Control Products)
- Designed Security—a Detex Company**
- CCTV** (GE, Hunt, Videotec)
- Access Control** (GE, Isonas, Kaba)
- Security Lighting** (Illuminar)
- Transmission** (FiberOptions, KBC Networks)



CLARK SECURITY PRODUCTS
CHICAGO BRANCH

1420 Chase Ave.
Elk Grove Village, IL 60007

800.755.5625 • PHONE
888.410.7329 • FAX
WWW.CLARKSECURITY.COM



AERON HARDWARE

1100 Killian Road
Akron, OH 44312

1-(800) 321-9602



BREAK-IN BLOCKER
By Sovilok
Toll free: 888-SOVILOK
www.breakinblocker.com
Jon Hohausler-Mfg. Rep
(248) 650-7824



Safety Technology International, Inc.
Tim Zale, Inside Sales
tzale@sti-usa.com
www.sti-usa.com
(248) 673-9898



Securitech Group
54-45 44th Street
Maspeth, NY 11378
(800) 622-5625
www.securitech.com



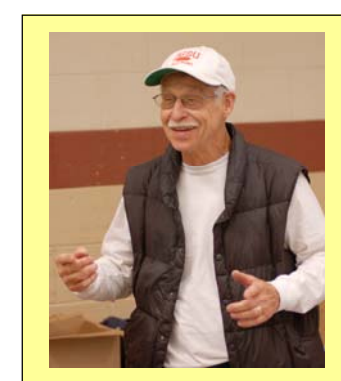
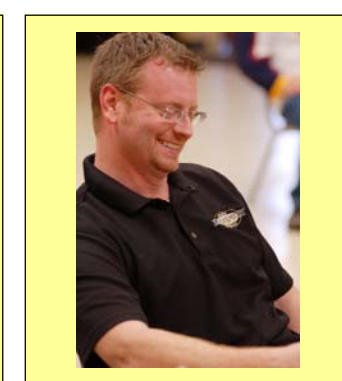
◆John Hubel, CML
◆(586) 254-7233



Professional Business Products

The Key To All Your Printed And Promotional Needs!

800-355-6322/248-360-3979
www.pbp2000.com
sales@pbp2000.com
4417 S. Commerce Rd • Commerce, MI 48382





Newsletter Submissions: 2 weeks PRIOR to next meeting
Submit in Word.doc to: icls@ICLSglobal.com
Contact: William M. Lynk, CRL

[Download Membership Application](#)
[Click above or on our site!]

Associate Members/Sponsors of LSA

IDN-Hardware Sales, Inc.
35950 Industrial Road
P.O. Box 510624
Livonia, MI 48150

Livonia: (800) 521-0955
FAX: (800) 272-4409

<http://www.idnhardware.com>

Warren: (800) 468-7490
FAX: (586) 755-5145

Your Key to Security Hardware

ICLS
Interchangeable Core Lock Systems

William M. Lynk, CRL
IC Specialist / IC Author

◆ IC Products ◆ IC Tools
◆ Key Retainer Devices

Phone: (313) 884-9800

E-mail: icls@ICLSglobal.com
Website: www.ICLSglobal.com

LAB

THE CHOICE OF
*Professional Locksmiths
*Finest Lock Companies

www.labpins.com

700 Emmett St.
Bristol, CT 06010

(800) 243-8242
FAX: (860) 583-7838

Local Distributor:
IDN Hardware

Bockert & Associates
18 Fort Monroe Industrial Parkway
Monroeville, OH 44847

(800) 321-7550
FAX: (419) 465-4216

Manufacturer Reps for:
ABUS, SSA, DON JO, DETEX,
ACSI, MARKS USA, RCI,
CANSEC, ABH, ADA-EZ
MERIT, TAKEX

LynkWeb.com
-An Affordable Lynk to the World

◆ Websites Under \$12.00
◆ Customer Support 24/7
◆ 500 E-mail Accounts
◆ Free Software

www.LynkWeb.com

JLM Wholesale, Inc.
3095 Mullins Ct.
Oxford, MI 48371

www.jlmwholesale.com

(800) 522-2940
FAX: (800) 782-1160

Wholesale Hardware

RITTNER/FRENCH ASSOCIATES

150 S. Elizabeth
Rochester, MI 48307

(800) 732-4773
1-800-RFA-4-SPEC
FAX: (248) 651-2650

Gene Simon

HARDWARE SPECIALIST

Phone: (708) 799-8783
FAX: (708) 799-4322

P.O. Box 51
Flossmoor, IL 60422

Representing:
Jet Hardware Mfg. Corp.
LAB Security Products
Major Manufacturing, Inc.


Kustom Key, Inc.
Call us today... 1-800-537-5397
Since 1952

1010 Aviation Drive
Lake Havasu, AZ 86404

800-537-5397


Safe Door Systems Inc.
631 Kingston Rd.
Toronto ON M4E 1R3
Toll Free: 1-866-627-7560


Framon Manufacturing Company, Inc.
909 Washington Ave
Alpena, MI 49707
Phone: 989-354-5623
Fax: 989-354-4238
Web: www.framon.com


MPT Industries

MPT Twelve Lock Lubricant is the longest lasting lubricant and penetrant available.

MPT Industries
6-B Hamilton Business Park
85 Franklin Road
Dover, NJ 07801
Phone: 973-989-9220
Toll Free: 800-351-0605



9950 Freeland Avenue
Detroit, MI 48227
Phone: (313) 931-7720
FAX: (313) 931-7758
Michael Wiener

Fine Quality Key Machines,
Key Blanks, Locks, Hardware